

# **SPECIFICATIONS FOR APPROVAL**

**Axial Fan**

**Model: 8025B2HL (MTF600RF)**

**AC220V 50/60Hz 0.07/0.06A**

**Lead Wire**

DATA SHEET  
 Engineering Dept  
 AC TUBE AXIAL FAN

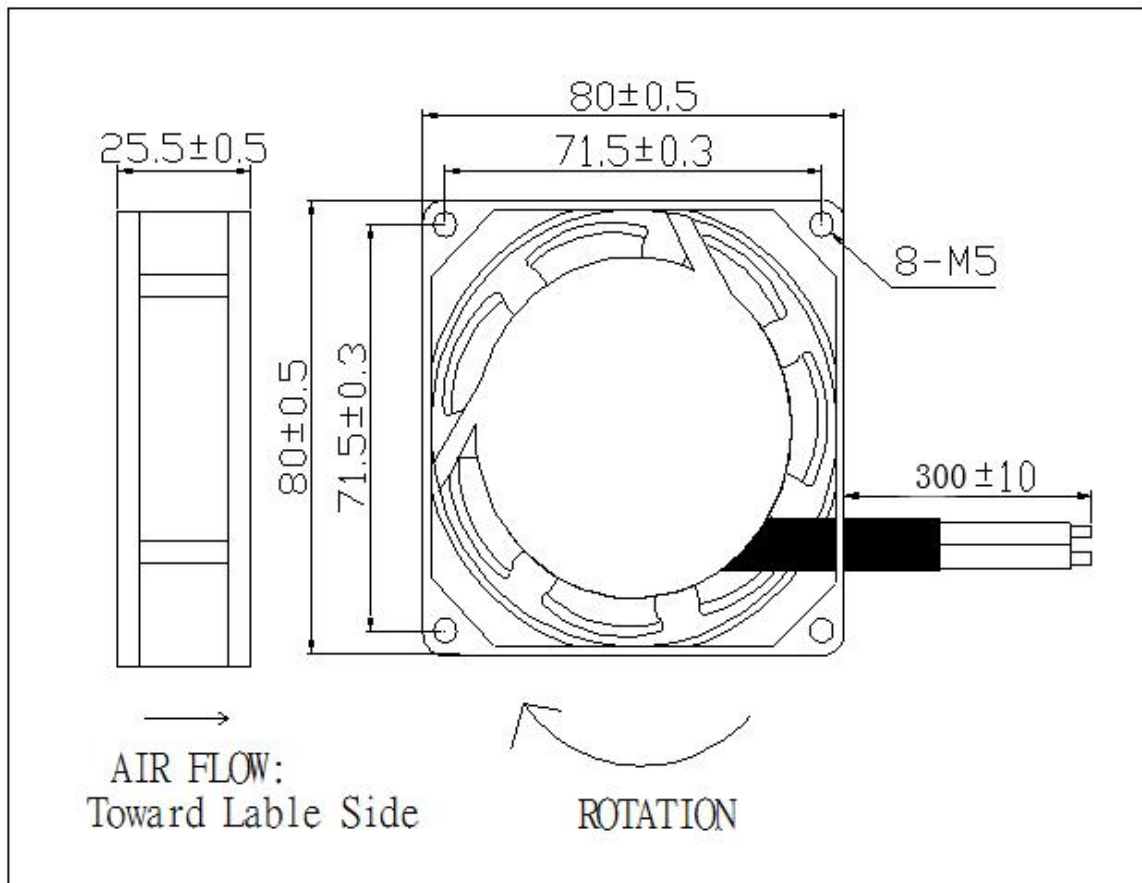
NO.: YYC2016070801

Customer	:	Ref:	
Model No.	:	8025B2HL	
Samples attached	:		
SPECIFICATION			
<u>Item</u>		<u>Specification/Condition</u>	
Dimension	:	80x80x25 mm	
Bearing System	:	BALL BEARING	
Rated Voltage	:	220 VAC 50/60Hz	
Operating Voltage	:	200 VAC—240 VAC	
Start-up Voltage	:	160 VAC NORMALLY	
Rated Current	:	0.07/0.06 Amp NORMALLY (UL Nominal value 0.11A )	
Rated Power	:	12/10 Watt NORMALLY	
Rated Speed	:	2550/3000 RPM $\pm$ 10%	
Air Flow	:	16/ 19 CFM	
Static Air Pressure	:	3.5/4.8mmH <sub>2</sub> O	
Noise Level	:	28/34 dBA	
Motor Protection Type	:	BY IMPEDANCE	
Life Expectance	:	50000 Hours at Room Temperature	
Operation Temperature	:	-20°C to +50°C	
Net Weight	:	220 Grams	
Packing	:	50 Pcs Per Export Carton	
		Model No.: 8025B2HL	
		Approved By:	Checked By:
			Prepared By:

## MATERIAL

1. Impeller : Thermoplastic PBT
2. Bobbin : Thermoplastic PA66
3. Lead Wire : UL 3266AWG#22
4. Housing: Die-cast aluminum

## DIMENSIONS: MM



# Performance Curve

