

# **SPECIFICATIONS FOR APPROVAL**

**Axial Fan**

**Model: 9225B2HT(MTF602RF)**

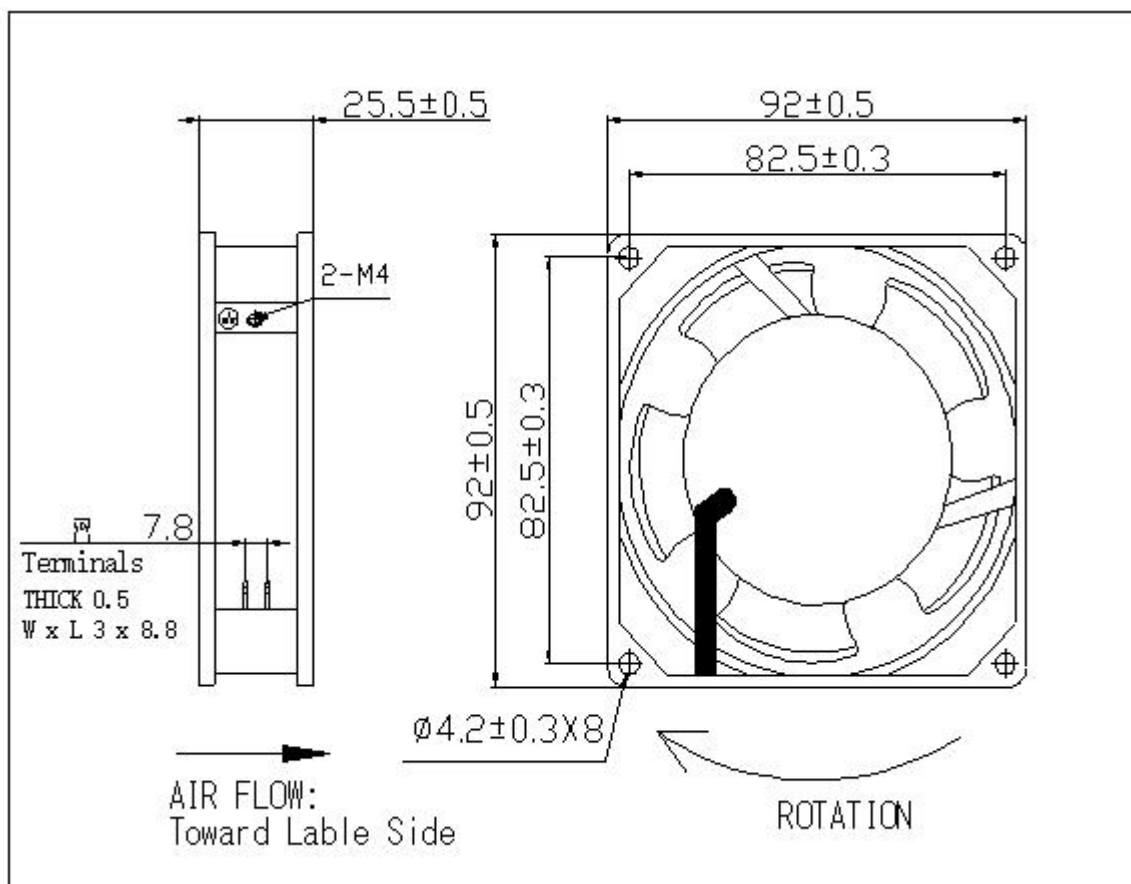
**AC220V 50/60Hz 0.07/0.06A**

DATA SHEET  
 Engineering Dept  
 AC TUBE AXIAL FAN

Customer	:		Ref:
Model No.	:	9225B2HT	
Samples attached	:		
SPECIFICATION *****			
<u>Item</u>		<u>Specification/Condition</u>	
Dimension	:	92x92x25 mm	
Bearing System	:	BALL BEARING	
Rated Voltage	:	220 VAC 50/60 Hz	
Operating Voltage	:	200 VAC—240 VAC	
Start-up Voltage	:	160 VAC NORMALLY	
Rated Current	:	0.07/0.06 Amp NORMALLY	
Rated Power	:	12/9 Watt NORMALLY	
Rated Speed	:	2550/2900 RPM $\pm$ 10%	
Air Flow	:	0.68/0.91 m <sup>3</sup> /min ( 24/32CFM )	
Static Air Pressure	:	3.5/4.2 mmH <sub>2</sub> O	
Noise Level	:	31/36 dBA	
Motor Protection Type	:	BY IMPEDANCE	
Life Expectance	:	50000 Hours at Room Temperature	
Operation Temperature	:	-20°C to +50°C	
Net Weight	:	250 Grams	
Packing	:	50 Pcs Per Export Carton	
		Model No.: 9225B2HT	
	Approved By:	Checked By:	Prepared By:

**MATERIAL**

1. Impeller : Thermoplastic PBT of UL 94V-0
2. Bobbin : Thermoplastic PA66 of UL 94V-0
3. Lead Wire : UL 1430 AWG#22
4. Housing : Die-cast aluminum

**DIMENSIONS: MM**

## Performance Curve

