

# **SPECIFICATIONS FOR APPROVAL**

## **Axial Fan**

**Model: 12025B2HT **(MTF604RF)****

**AC220V 50/60Hz 0.07/0.06A**

**Terminal Type**

DATA SHEET  
Engineering Dept  
AC TUBE AXIAL FAN

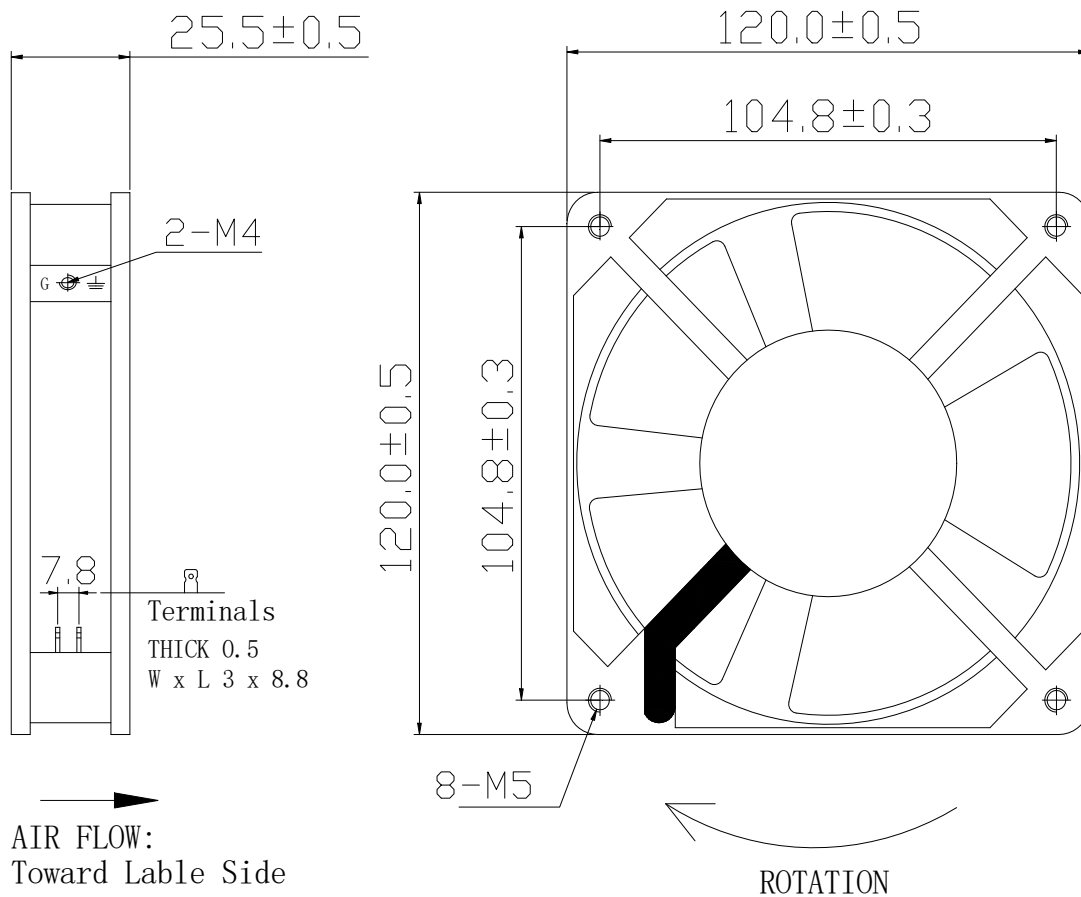
NO.: YYC2016070705

Customer	:		Ref:	
Model No.	:	12025B2HT		
Samples attached	:			
SPECIFICATION				
<u>Item</u>		<u>Specification/Condition</u>		
Dimension	:	120x120x25 mm		
Bearing System	:	Ball BEARING		
Rated Voltage	:	220 VAC 50 / 60Hz		
Operating Voltage	:	200 VAC—240 VAC		
Start-up Voltage	:	160 VAC NORMALLY		
Rated Current	:	0.07/0.06±10% Amp NORMALLY		
Rated Power	:	12 /10±10% W NORMALLY		
Rated Speed	:	2100/2200 RPM±10%		
Air Flow	:	1.59/1.73 m <sup>3</sup> /min (56/61CFM)		
Static Air Pressure	:	2.9/2.6mmH <sub>2</sub> O		
Noise Level	:	36/37dBA		
Motor Protection Type	:	BY IMPEDANCE		
Life Expectance	:	50000 Hours at Room Temperature		
Operation Temperature	:	-20°C to +50°C		
Net Weight	:	280Gram		
Packing	:	40 Pcs Per Export Carton		
		Model No.: 12025B2HT		
		Approved By:	Checked By:	Prepared By:

## MATERIAL

1. Impeller : Thermoplastic PBT
2. Bobbin : Thermoplastic PA66
3. Lead Wire : UL 1430 AWG#22
4. Housing : Die-cast Aluminum

## DIMENSIONS: MM



# Performance Curve

