

SANYO

SANYO SCROLL COMPRESSORS

Code : 809 934 88

Model : C-SBN233H8E



DALIAN SANYO COMPRESSOR CO.,LTD.

Rev. 2008-5

SANYO Scroll Compressor



Model C-SBN233H8E

Refrigerant R410A

Electrical 380-415 Volts 3 Phase 50Hz

440-460 Volts 3 Phase 60Hz

Nominal Performance at ARI

Power Source	<u>50Hz-380V</u>	<u>60Hz-440V</u>
Capacity (W)	<u>8600</u>	<u>11600</u>
Power (W)	<u>3550</u>	<u>4200</u>
Current (A)	<u>6.4</u>	<u>6.4</u>
COP (W/W)	<u>2.42</u>	<u>2.76</u>
Mass Flow (kg/h)	<u>197</u>	<u>266</u>

Rating Conditions

Condensing Temperature(°C)	<u>54.4</u>
Evaporating Temperature(°C)	<u>7.2</u>
Return Gas temperature(°C)	<u>18.3</u>
Liquid Temperature(°C)	<u>46.1</u>
Ambient Temperature(°C)	<u>35</u>

Motor

	<u>50Hz</u>	<u>60Hz</u>
Voltage Range(V)	<u>342-456</u>	<u>396-506</u>
RLA (A)	<u>-</u>	<u>-</u>
MCC (A)	<u>-</u>	<u>-</u>
LRA (A)	<u>48</u>	<u>52</u>
RPM (min ⁻¹)	<u>2900</u>	<u>3450</u>

Compressor

Maximum Discharge Temp(°C)	<u>130</u>
Displacement (cm ³ /rev)	<u>35</u>
Weight (with oil kg)	<u>38</u>

Oil

Oil Type	<u>FV68S</u>
Initial Charge (ml)	<u>1700</u>
Re-charge (ml)	<u>1600</u>

Electrical Components

Motor Protector Type	<u>Internal</u>
Run Capacitor Rating (MFD/Volts)	<u>n/a</u>

Nominal performance values +/-5% with 1 hr run-in.

Ratings with air over compressor.

Specifications subject to change without notice.



Made by: Dalian **SANYO** Compressor Co., Ltd.

PERFORMANCE DATA (PRELIMINARY DATA)

Compressor Model(Code)	C-SBN233H8E (809 934 88)
Power Source	3PH 50Hz 380-415V
Suction Gas Superheat(K)	11.1
Sub Cooling(K)	8.3
Compressor Cooling	Natural Cooling
Refrigerant	R410A

CAPACITY(W)

Condensing Temperature(°C)	Evaporating Temperature(°C)							
	-15	-10	-6.7	0	4.4	7.2	10	12
35.0	4,610	5,660	6,470	8,510	10,190	11,420	12,800	13,890
40.5	4,270	5,230	5,990	7,870	9,410	10,550	11,820	12,830
45.0	4,010	4,910	5,610	7,370	8,820	9,880	11,070	12,010
50.0	3,730	4,570	5,220	6,850	8,190	9,180	10,280	11,150
54.4		4,290	4,900	6,420	7,680	8,600	9,630	10,450
60.0			4,520	5,920	7,070	7,920	8,860	9,610
65.0				5,500	6,570	7,360	8,230	8,930

POWER(W)

Condensing Temperature(°C)	Evaporating Temperature(°C)							
	-15	-10	-6.7	0	4.4	7.2	10	12
35.0	2,390	2,400	2,400	2,380	2,340	2,320	2,280	2,260
40.5	2,680	2,690	2,690	2,660	2,620	2,600	2,560	2,530
45.0	2,960	2,970	2,960	2,930	2,900	2,870	2,830	2,800
50.0	3,310	3,320	3,310	3,280	3,240	3,210	3,170	3,150
54.4		3,670	3,660	3,620	3,580	3,550	3,520	3,490
60.0			4,150	4,100	4,060	4,030	4,000	3,970
65.0				4,580	4,540	4,510	4,480	4,460

CURRENT(A)

@380V

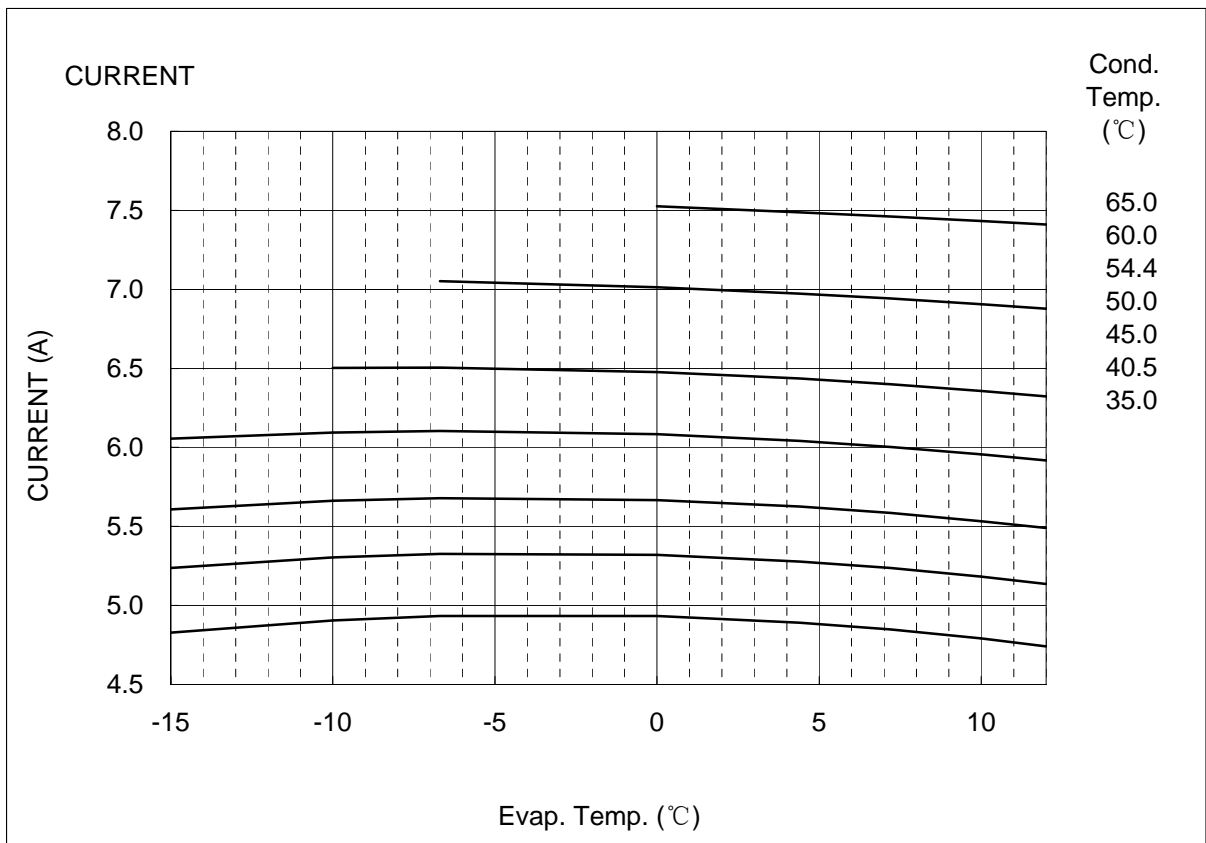
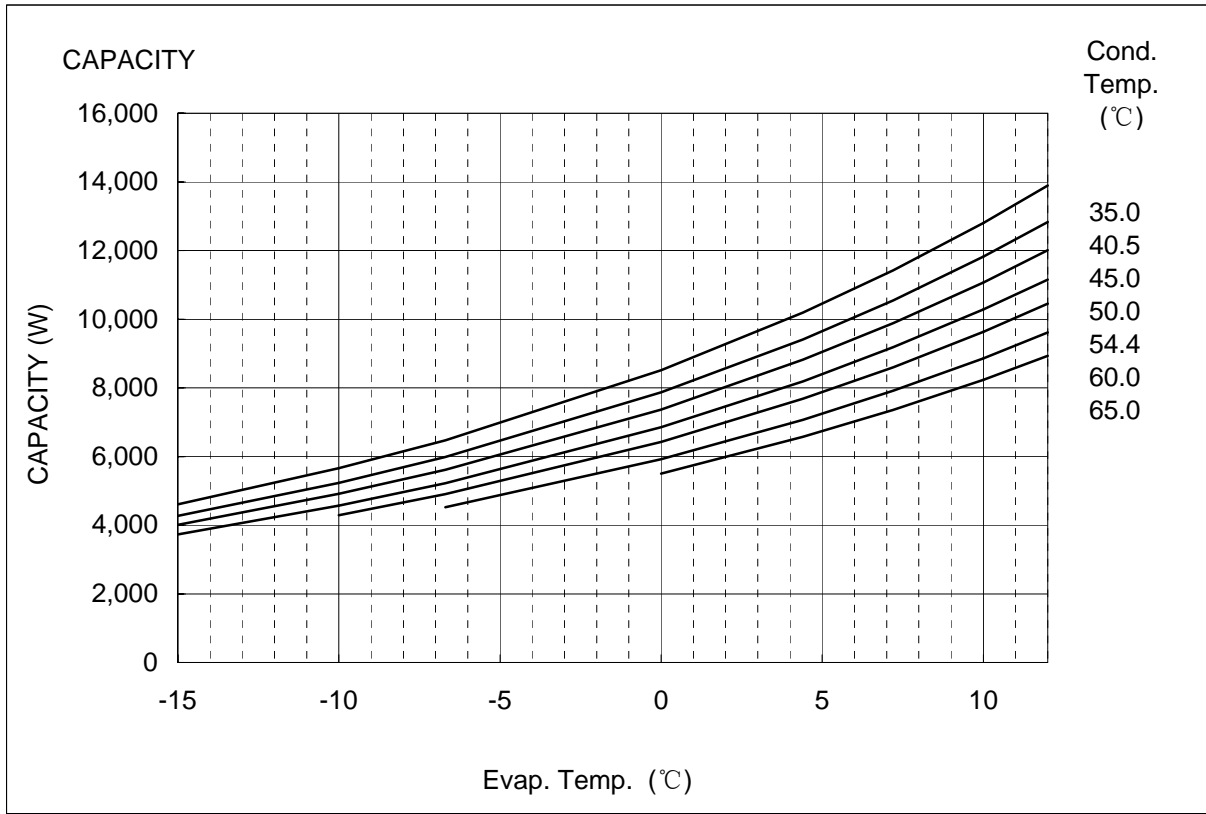
Condensing Temperature(°C)	Evaporating Temperature(°C)							
	-15	-10	-6.7	0	4.4	7.2	10	12
35.0	4.8	4.9	4.9	4.9	4.9	4.8	4.8	4.7
40.5	5.2	5.3	5.3	5.3	5.3	5.2	5.2	5.1
45.0	5.6	5.7	5.7	5.7	5.6	5.6	5.5	5.5
50.0	6.1	6.1	6.1	6.1	6.0	6.0	6.0	5.9
54.4		6.5	6.5	6.5	6.4	6.4	6.4	6.3
60.0			7.1	7.0	7.0	6.9	6.9	6.9
65.0				7.5	7.5	7.5	7.4	7.4

NOTE:

* The performance values subject to change without notice.

Compressor Model(Code)
Power Source

C-SBN233H8E (809 934 88)
3PH 50Hz 380-415V



COEFFICIENTS OF PERFORMANCE CURVES



Compressor Model **C-SBN233H8E (809 934 88)**
 Power Source **3PH 50Hz 380-415V**
 Suction Gas Superheat (K) **11.1**
 Sub Cooling (K) **8.3**
 Compressor Cooling **Natural Cooling**
 Refrigerant **R410A**

$$X=C1+C2*(S)+C3*D+C4*(S2)+C5*(S*D)+C6*(D2)+C7*(S3)+C8*(D*S2)+C9*(S*D2) +C10*(D3)$$

X—CAPACITY(W) OR POWER(W) OR CURRENT(A) OR FLOW(kg/h)

S—EVAPORATING TEMP, °C

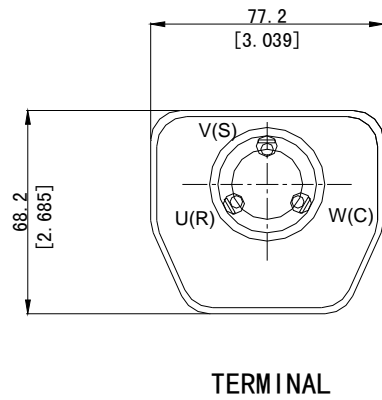
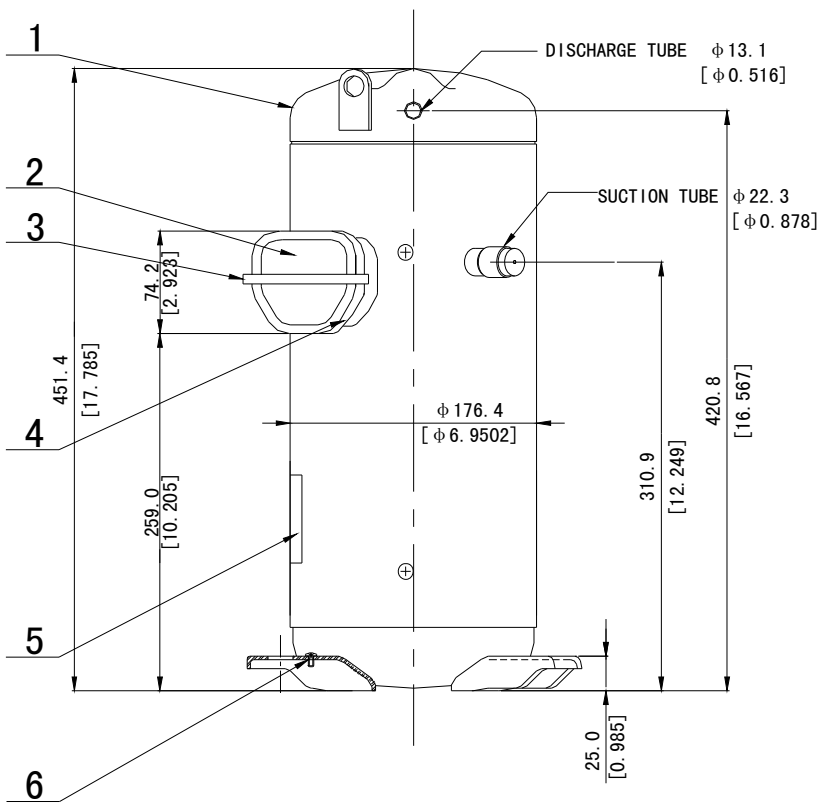
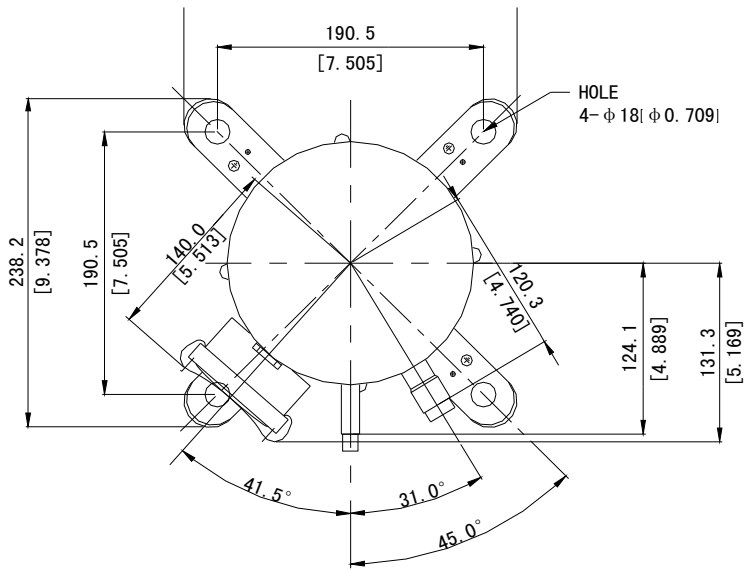
D—CONDENSING TEMP, °C

380V-50Hz	CAPACITY (W)	POWER (W)	CURRENT (A)
C1	1.362167E+04	1.865929E+03	3.435744E+00
C2	5.769048E+02	-2.183347E+00	-1.921599E-03
C3	-1.708643E+02	-1.706997E+01	1.932914E-02
C4	1.045343E+01	-5.149626E-01	-1.637065E-03
C5	-7.672390E+00	-1.386956E-01	-1.433413E-04
C6	7.080428E-01	9.057609E-01	6.716781E-04
C7	8.009534E-02	1.619907E-03	1.386213E-06
C8	-9.301047E-02	4.433252E-03	2.164812E-05
C9	3.370519E-02	6.930840E-04	8.366353E-07
C10	-8.134911E-09	-9.367544E-09	-6.997362E-12

Note:The polynomial coefficients subject to change without notice.

DIMENSIONAL SKETCH

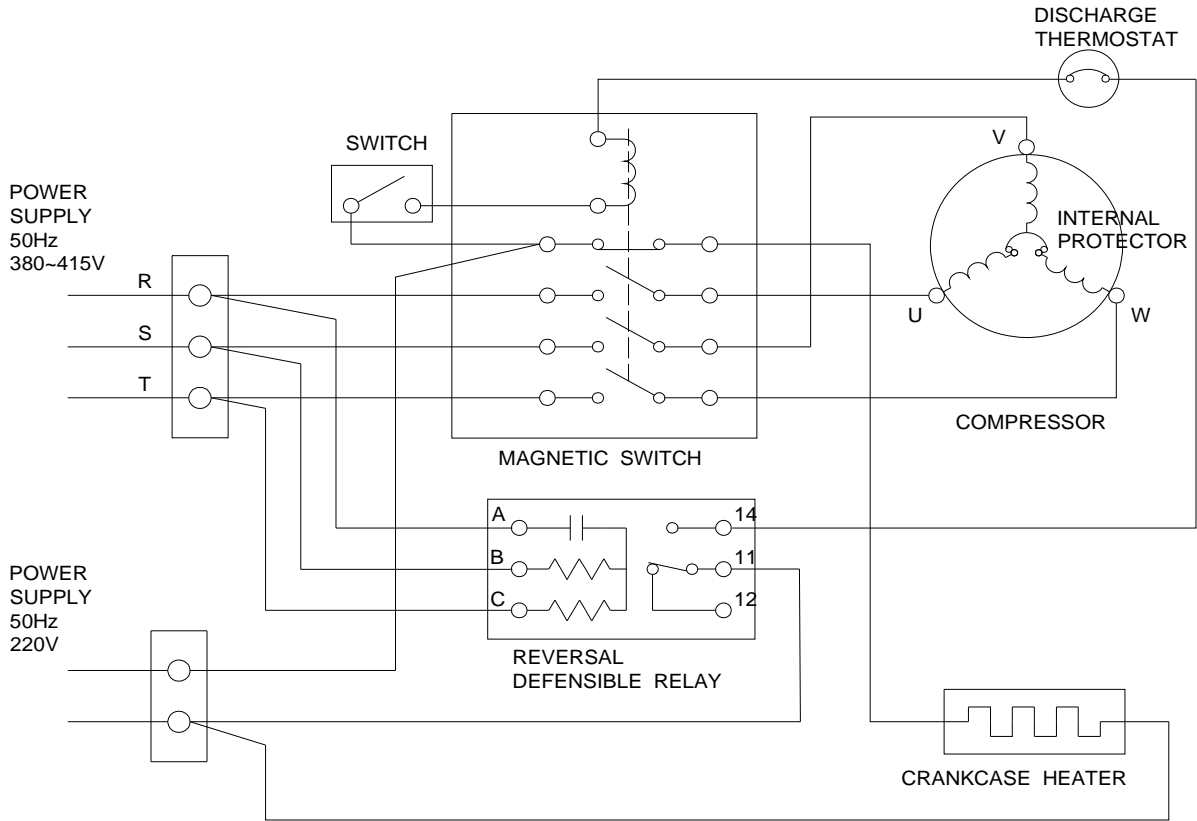
C-SB Series



No.	Qty	Name
1	1	Compressor
2	1	Terminal Box Cover
3	1	Terminal Box Clip
4	1	Insulating Grommet
5	1	Nameplate
6	1	Screw Special

WIRING & MOUNTING SKETCH

WIRING DIAGRAM C-SB Series 3phase B8



MOUNTING SKETCH

