

SANYO

SANYO SCROLL COMPRESSORS

Code : 809 930 45

Model : C-SBN261H5A



DALIAN SANYO COMPRESSOR CO.,LTD.

Rev. 2007-5

SANYO Scroll Compressor



Model C-SBN261H5A
Refrigerant R407C

Electrical 220-240 Volts 1 Phase 50Hz

Nominal Performance at ARI

Power Source	<u>50Hz-220V</u>	<u>50Hz-240V</u>
Capacity (W)	<u>9700</u>	<u>9650</u>
Power (W)	<u>3400</u>	<u>3500</u>
Current (A)	<u>16.1</u>	<u>16.6</u>
COP (W/W)	<u>2.85</u>	<u>2.76</u>
Mass Flow (kg/h)	<u>232</u>	<u>230</u>

Rating Conditions (MID Point)

Condensing Temperature(°C)	<u>54.4</u>
Evaporating Temperature(°C)	<u>7.2</u>
Return Gas temperature(°C)	<u>18.3</u>
Liquid Temperature(°C)	<u>43.8</u>
Ambient Temperature(°C)	<u>35.0</u>

Motor

	<u>50Hz</u>
Voltage Range(V)	<u>198-264</u>
RLA (A)	<u>19.0</u>
MCC (A)	<u>26.6</u>
LRA (A)	<u>100</u>
RPM (min ⁻¹)	<u>2900</u>
Motor Type	<u>CSR</u>

Oil

Oil Type	<u>FV68S</u>
Initial Charge (ml)	<u>1700</u>
Re-charge (ml)	<u>1600</u>

Compressor

Maximum Discharge Temp(°C)	<u>130</u>
Displacement (cm ³ /rev)	<u>55.7</u>
Weight (with oil kg)	<u>38.5</u>

Electrical Components

Motor Protector Type	<u>Internal</u>
Run Capacitor Rating (MFD/Volts)	<u>60/440</u>
Starting Capacitor Rating (MFD/Volts)	<u>100~140/330</u>
Starting Relay	P.U. Volts <u>180~195</u> D.O. Volts <u>40~105</u>

Nominal performance values +/-5% with 1 hr run-in.

Ratings with air over compressor.

Specifications subject to change without notice.



Made by: Dalian **SANYO** Compressor Co., Ltd.

PERFORMANCE DATA (PRELIMINARY DATA)

Compressor Model(Code)	C-SBN261H5A (809 930 45)
Power Source	1PH 50Hz 220-240V
Suction Gas Superheat(K)	11.1
Sub Cooling(K)	8.3
Compressor Cooling	Natural Cooling
Refrigerant	R134a

CAPACITY(W)

Condensing Temperature(°C)	Evaporating Temperature(°C)							
	-15	-10	-6.7	0	4.4	7.2	10	12
40.5	3,100	3,800	4,350	5,720	6,840	7,670	8,600	9,330
45.0	2,990	3,660	4,170	5,470	6,530	7,300	8,180	8,860
50.0	2,870	3,500	3,990	5,200	6,190	6,920	7,730	8,370
54.4	2,770	3,360	3,830	4,980	5,910	6,600	7,370	7,970
60.0		3,200	3,640	4,710	5,580	6,210	6,920	7,480
65.0			3,480	4,480	5,300	5,890	6,550	7,070
70.0				4,270	5,030	5,590	6,210	6,690

POWER(W)

Condensing Temperature(°C)	Evaporating Temperature(°C)							
	-15	-10	-6.7	0	4.4	7.2	10	12
40.5	1,740	1,760	1,780	1,810	1,830	1,840	1,850	1,860
45.0	1,890	1,910	1,930	1,960	1,980	1,990	2,010	2,020
50.0	2,070	2,090	2,110	2,140	2,170	2,180	2,200	2,210
54.4	2,240	2,270	2,280	2,320	2,340	2,360	2,380	2,390
60.0		2,500	2,520	2,560	2,590	2,610	2,620	2,640
65.0			2,750	2,800	2,820	2,840	2,860	2,880
70.0				3,040	3,080	3,100	3,120	3,130

CURRENT(A)

@220V

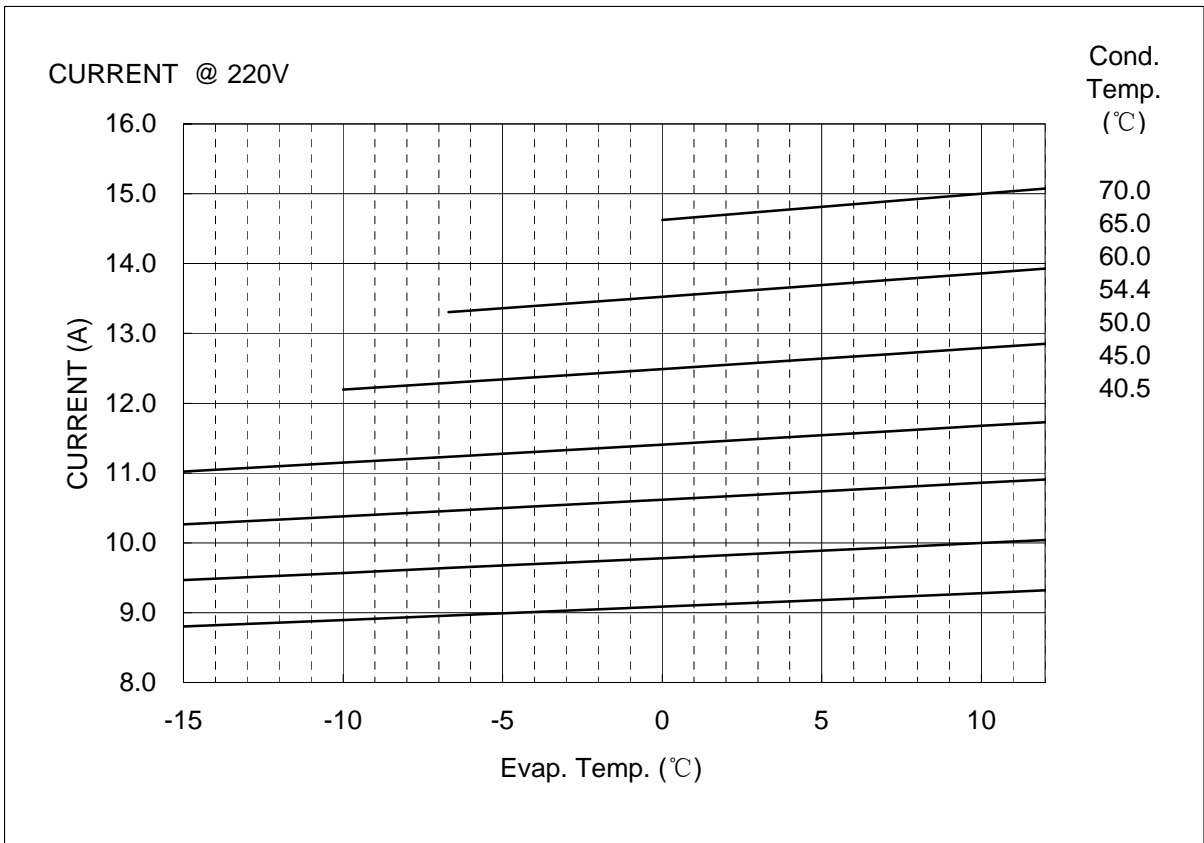
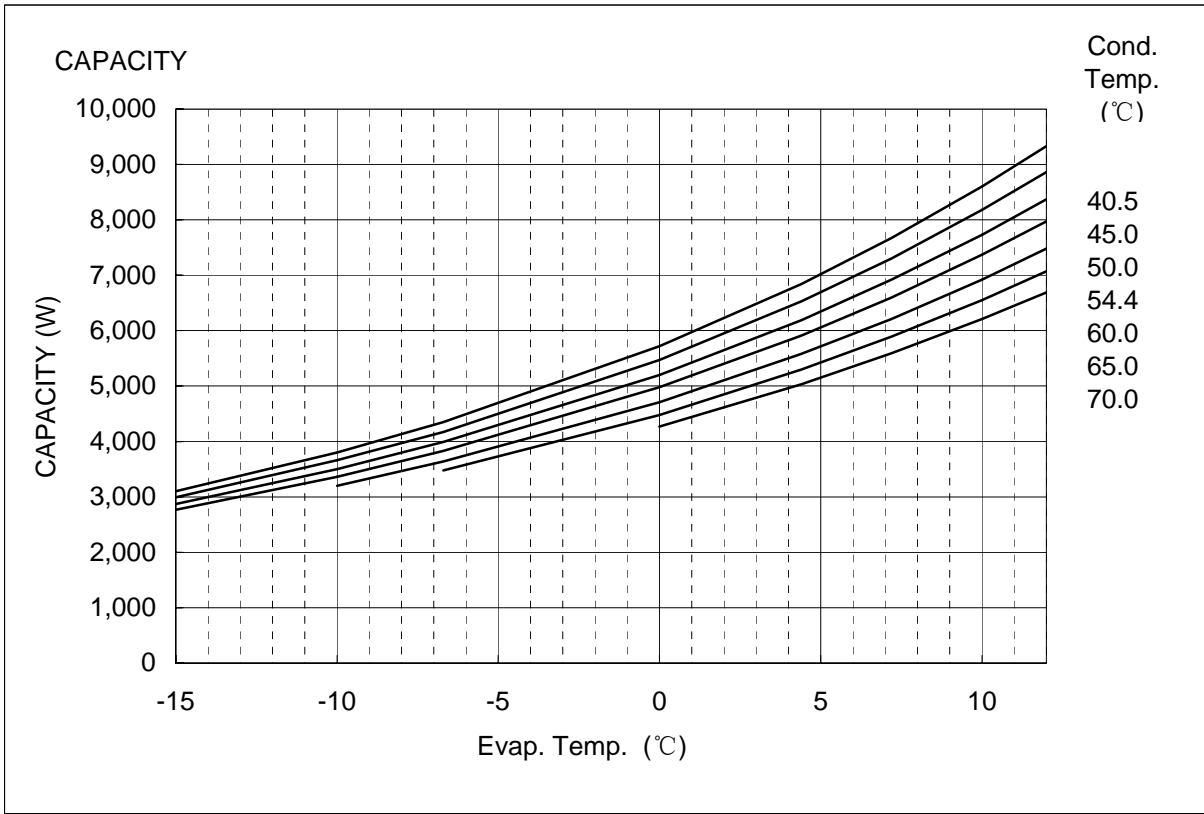
Condensing Temperature(°C)	Evaporating Temperature(°C)							
	-15	-10	-6.7	0	4.4	7.2	10	12
40.5	8.8	8.9	9.0	9.1	9.2	9.2	9.3	9.3
45.0	9.5	9.6	9.6	9.8	9.9	9.9	10.0	10.0
50.0	10.3	10.4	10.5	10.6	10.7	10.8	10.9	10.9
54.4	11.0	11.1	11.2	11.4	11.5	11.6	11.7	11.7
60.0		12.2	12.3	12.5	12.6	12.7	12.8	12.9
65.0			13.3	13.5	13.7	13.8	13.9	13.9
70.0				14.6	14.8	14.9	15.0	15.1

NOTE:

* The performance values subject to change without notice.

Compressor Model(Code)
Power Source

C-SBN261H5A (809 930 45)
1PH 50Hz 220-240V



COEFFICIENTS OF PERFORMANCE CURVES



Compressor Model **C-SBN261H5A (809 930 45)**
 Power Source **1PH 50Hz 220-240V**
 Suction Gas Superheat (K) **11.1**
 Sub Cooling (K) **8.3**
 Compressor Cooling **Natural Cooling**
 Refrigerant **R134a**

$$X=C1+C2*(S)+C3*D+C4*(S^2)+C5*(S*D)+C6*(D^2)+C7*(S^3)+C8*(D*S^2)+C9*(S*D^2) +C10*(D^3)$$

X—CAPACITY(W) OR POWER(W) OR CURRENT(A)

S—EVAPORATING TEMP, °C

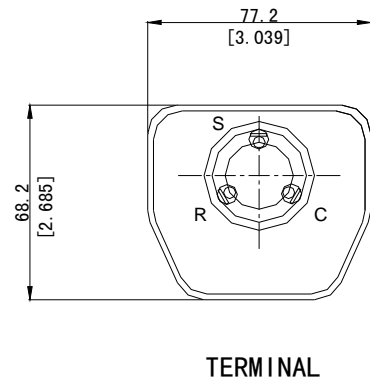
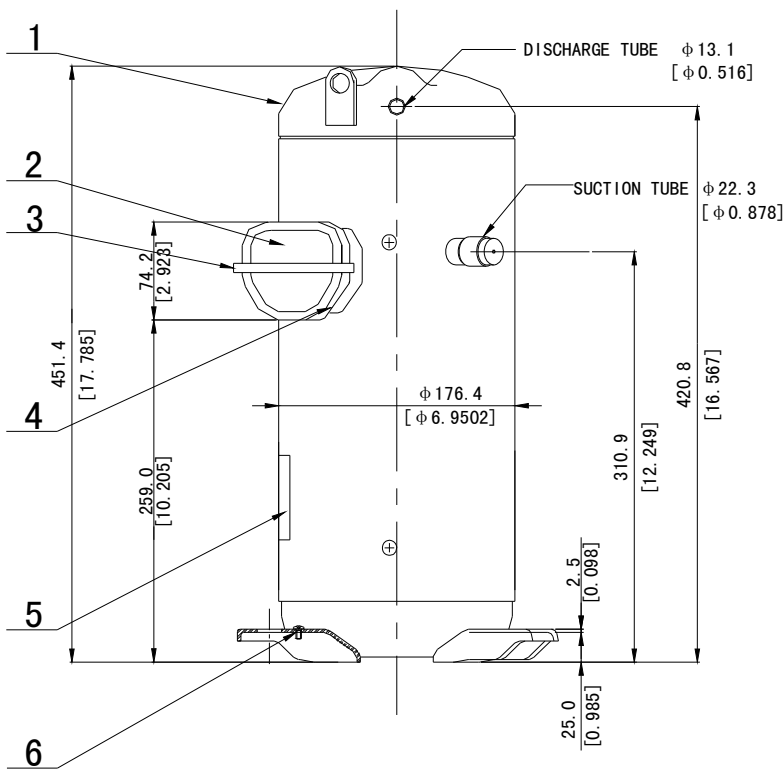
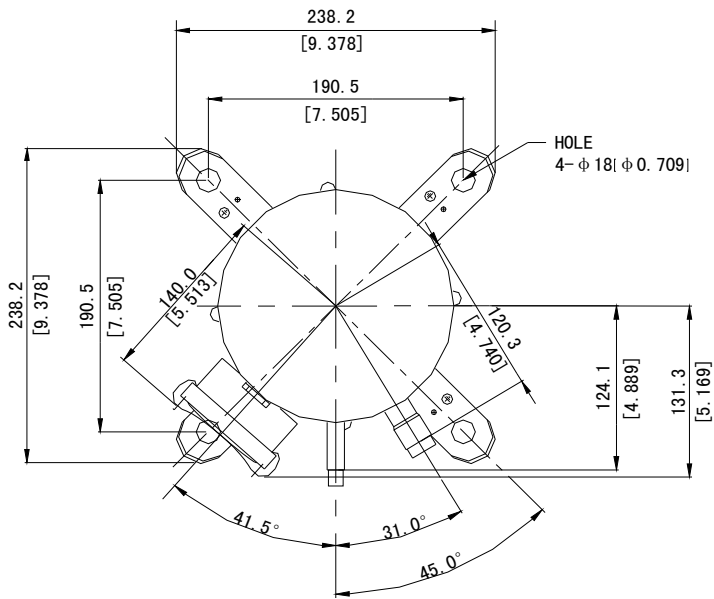
D—CONDENSING TEMP, °C

<u>220V-50Hz</u>	CAPACITY (W)	POWER (W)	CURRENT (A)
C1	8.483949E+03	1.037977E+03	5.230369E+00
C2	3.993461E+02	1.812772E+00	1.063569E-02
C3	-7.958617E+01	5.767604E+00	4.156228E-02
C4	7.501236E+00	-5.640062E-02	-1.448444E-05
C5	-4.938947E+00	5.438905E-02	-1.054302E-05
C6	2.773850E-01	3.268830E-01	1.323643E-03
C7	5.401230E-02	-3.312294E-04	5.930656E-08
C8	-6.578243E-02	1.401090E-03	8.397511E-07
C9	2.153369E-02	3.009821E-04	5.510347E-06
C10	-2.051974E-09	1.152418E-09	2.175466E-12

Note:The polynomial coefficients subject to change without notice.

DIMENSIONAL SKETCH

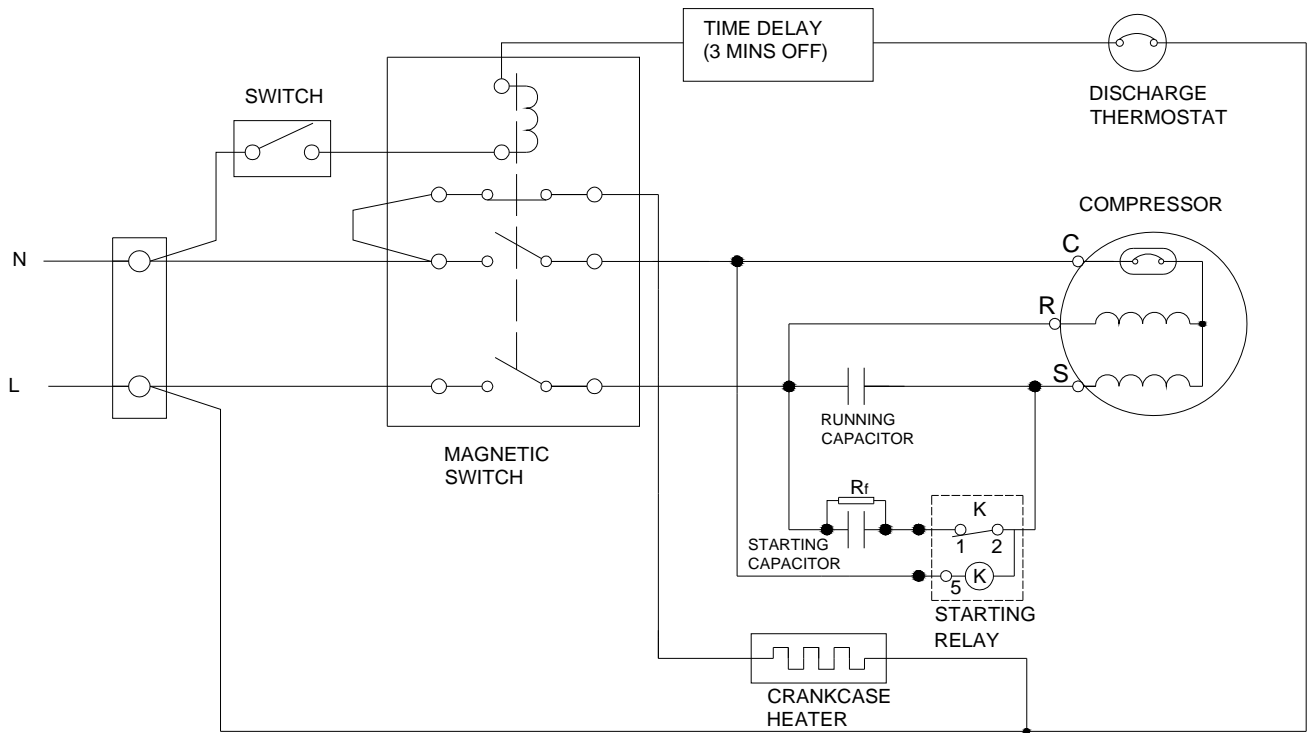
C-SB Series



No.	Qty	Name
1	1	Compressor
2	1	Terminal Box Cover
3	1	Terminal Box Clip
4	1	Insulating Grommet
5	1	Nameplate
6	1	Screw Special

WIRING & MOUNTING SKETCH

WIRING DIAGRAM C-SB Series 1phase (CSR)



MOUNTING SKETCH

