

SANYO

SANYO SCROLL COMPRESSORS

Code : 809 960 88

Model : C-SBN453H8A



DALIAN SANYO COMPRESSOR CO.,LTD.

SANYO Scroll Compressor

Made by: Dalian **SANYO** Compressor Co., Ltd.

Model: C-SBN453H8A **Electrical:** 380-415 Volts 3 Phase 50Hz **R134a**

Nominal Performance at ARI and 50Hz-380V

Capacity	(W)	12200
Power	(W)	3700
Current	(A)	6.8
COP	(W/W)	3.30
Mass Flow	(kg/h)	298

Rating Conditions at ARI

Condensing Temperature(°C)	54.4
Evaporating Temperature(°C)	7.2
Return Gas temperature(°C)	18.3
Liquid Temperature(°C)	46.1
Ambient Temperature(°C)	35

Motor

	50Hz
Operating Voltage Range(V)	342-456
Locked Rotor Amps(A)	66
Maximum Continuous Current(A)	-
RPM(min ⁻¹)	2900

Compressor

Maximum Discharge Temp(°C)	130
Displacement (cm ³ /rev)	100
Weight (with oil kg)	39.5
CCC File Number	2002020704000230

Oil

Oil Type	FV68S
Initial Charge (ml)	1700
Re-charge (ml)	1600

Electrical Components

Motor Protector Type	Internal
Run Capacitor Rating (MFD/Volts)	n/a

Nominal performance values +/-5% with 1 hr run-in.

Ratings with air over compressor.

Specifications subject to change without notice



PERFORMANCE DATA

Compressor Model(Code)	C-SBN453H8A (809 960 88)
Power Source	3PH 50Hz 380-415V
Suction Gas Superheat(K)	11.1
Sub Cooling(K)	8.3
Compressor Cooling	Natural Cooling
Refrigerant	R134a

**CAPACITY(W)**

Condensing Temperature(°C)	Evaporating Temperature(°C)							
	-15	-10	-6.7	0	4.4	7.2	10	12
40.5	6,210	7,520	8,530	11,030	13,060	14,540	16,190	17,480
45.0	5,810	7,050	8,020	10,390	12,330	13,740	15,320	16,550
50.0	5,400	6,570	7,470	9,720	11,560	12,900	14,400	15,580
54.4	5,060	6,160	7,030	9,170	10,920	12,200	13,630	14,760
60.0		5,690	6,500	8,510	10,150	11,360	12,720	13,780
65.0			6,060	7,960	9,520	10,670	11,960	12,970
70.0				7,460	8,940	10,030	11,260	12,220

POWER(W)

Condensing Temperature(°C)	Evaporating Temperature(°C)							
	-15	-10	-6.7	0	4.4	7.2	10	12
40.5	2,700	2,740	2,760	2,770	2,770	2,760	2,740	2,720
45.0	2,960	3,010	3,030	3,040	3,040	3,030	3,010	3,000
50.0	3,300	3,340	3,360	3,380	3,370	3,370	3,360	3,350
54.4	3,630	3,660	3,680	3,700	3,700	3,700	3,690	3,690
60.0		4,110	4,130	4,150	4,160	4,170	4,170	4,170
65.0			4,570	4,600	4,620	4,630	4,640	4,640
70.0				5,090	5,110	5,130	5,140	5,160

CURRENT(A)

@380V

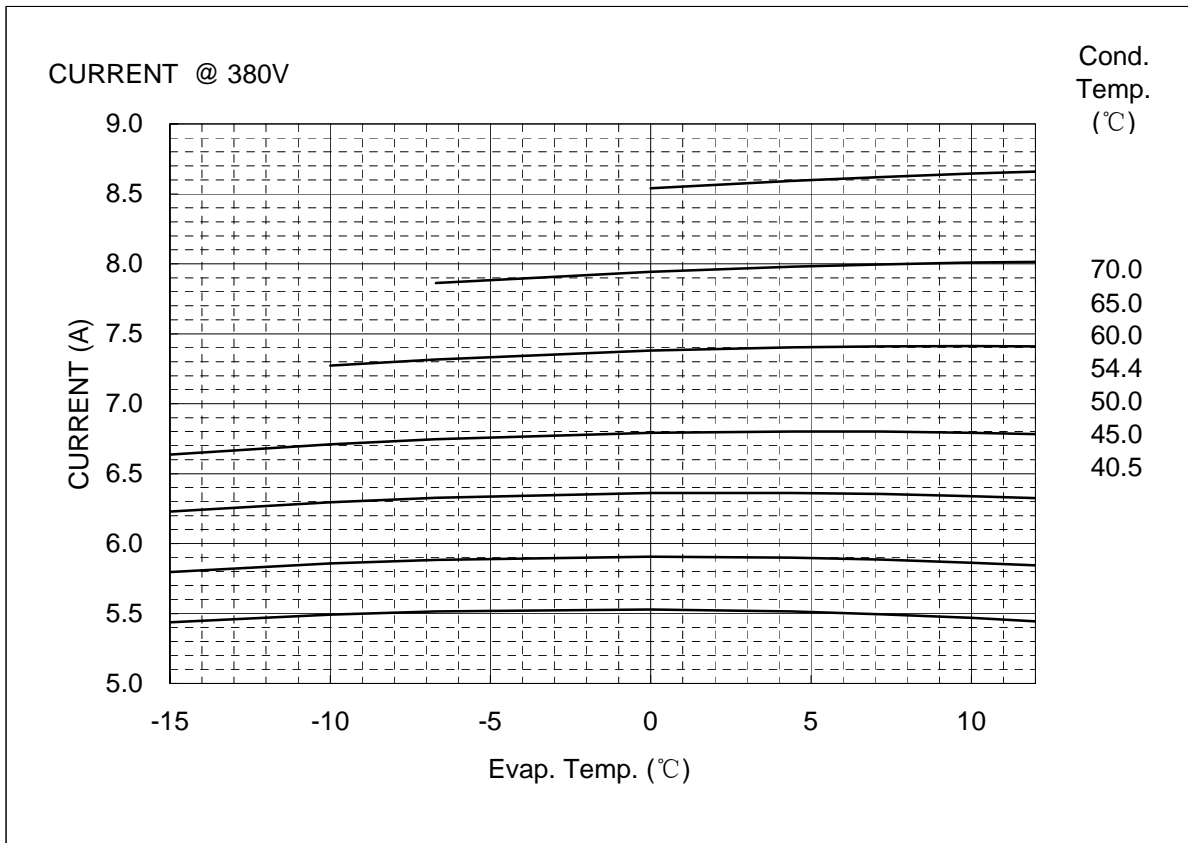
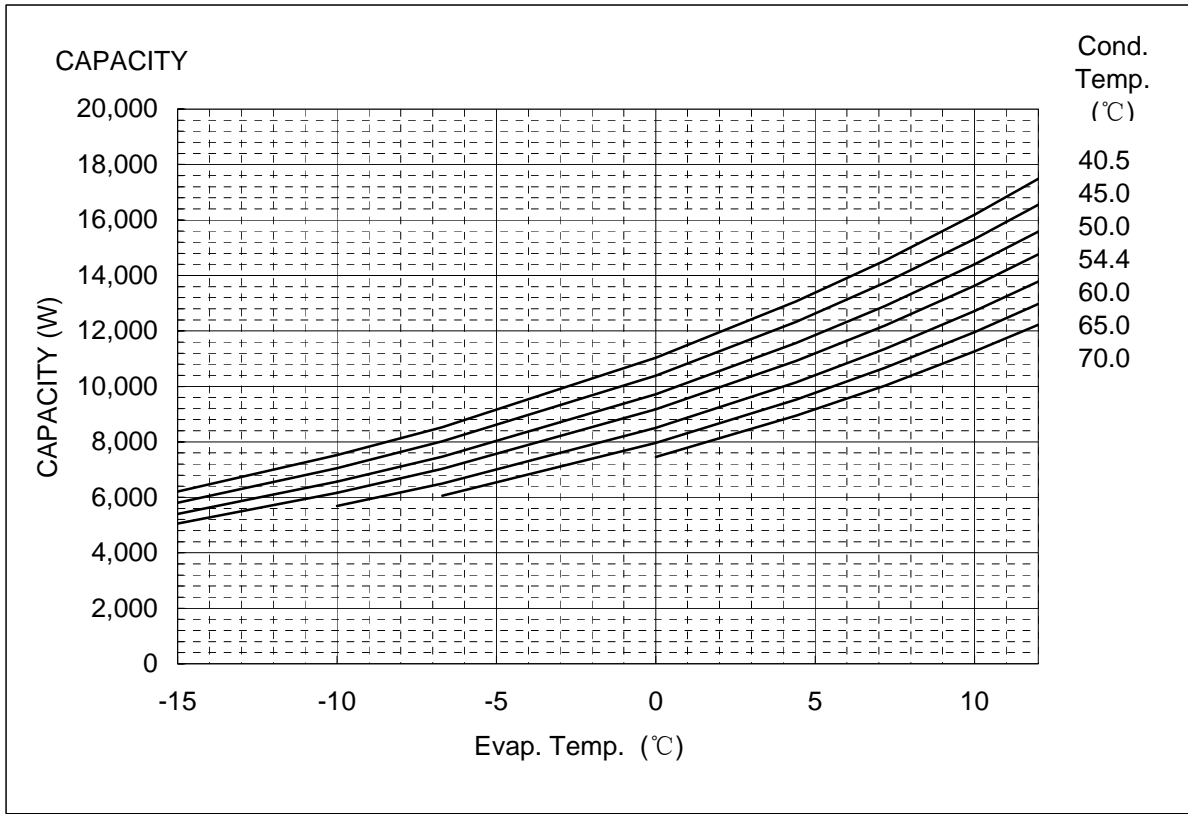
Condensing Temperature(°C)	Evaporating Temperature(°C)							
	-15	-10	-6.7	0	4.4	7.2	10	12
40.5	5.4	5.5	5.5	5.5	5.5	5.5	5.5	5.4
45.0	5.8	5.9	5.9	5.9	5.9	5.9	5.9	5.8
50.0	6.2	6.3	6.3	6.4	6.4	6.4	6.3	6.3
54.4	6.6	6.7	6.7	6.8	6.8	6.8	6.8	6.8
60.0		7.3	7.3	7.4	7.4	7.4	7.4	7.4
65.0			7.9	7.9	8.0	8.0	8.0	8.0
70.0				8.5	8.6	8.6	8.6	8.7

NOTE:

* The performance values subject to change without notice.

Compressor Model(Code)
Power Source

C-SBN453H8A (809 960 88)
3PH 50Hz 380-415V



COEFFICIENTS OF PERFORMANCE CURVES



Compressor Model	C-SBN453H8A (809 960 88)
Power Source	3PH 50Hz 380-415V
Suction Gas Superheat (K)	11.1
Sub Cooling (K)	8.3
Compressor Cooling	Natural Cooling
Refrigerant	R134a

$$X=C1+C2*(S)+C3*D+C4*(S^2)+C5*(S*D)+C6*(D^2)+C7*(S^3)+C8*(D*S^2)+C9*(S*D^2) +C10*(D^3)$$

X—CAPACITY(W) OR POWER(W) OR CURRENT(A)

S—EVAPORATING TEMP, °C

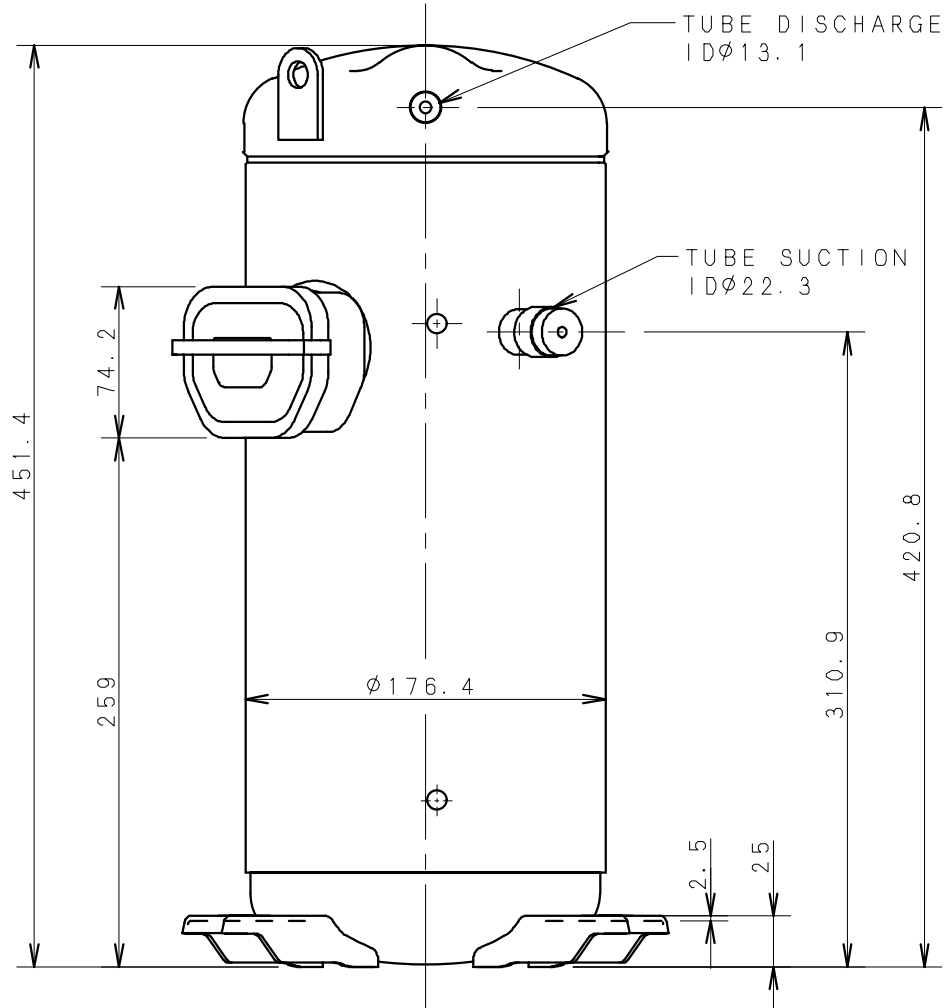
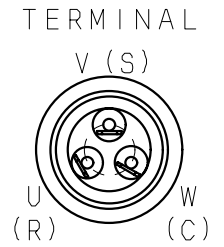
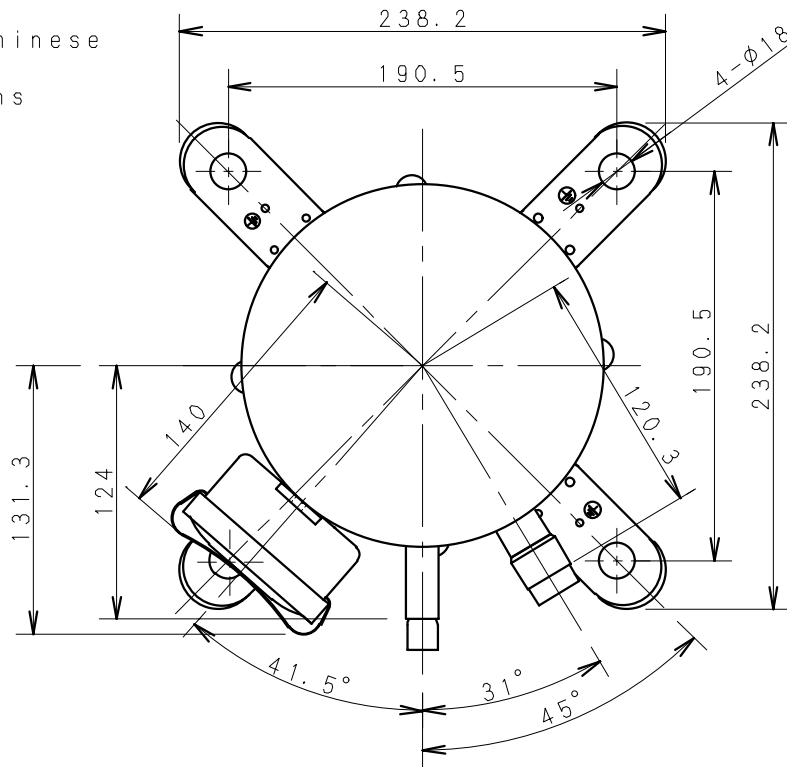
D—CONDENSING TEMP, °C

<u>380V-50Hz</u>	CAPACITY (W)	POWER (W)	CURRENT (A)
C1	1.863282E+04	1.855889E+03	3.468807E+00
C2	5.919316E+02	-7.256485E+00	-2.020077E-02
C3	-2.260483E+02	-9.335608E+00	2.216103E-02
C4	1.017555E+01	-1.013775E+00	-1.441648E-03
C5	-4.161537E+00	1.690434E-01	4.605093E-04
C6	9.520102E-01	7.935619E-01	7.166197E-04
C7	8.930386E-02	-2.842176E-04	-2.259939E-06
C8	-4.929794E-02	1.530060E-02	1.813361E-05
C9	-2.170817E-06	-4.777420E-07	-1.107218E-09
C10	-2.651670E-06	-5.246221E-07	-4.579498E-10

Note: The polynomial coefficients subject to change without notice.

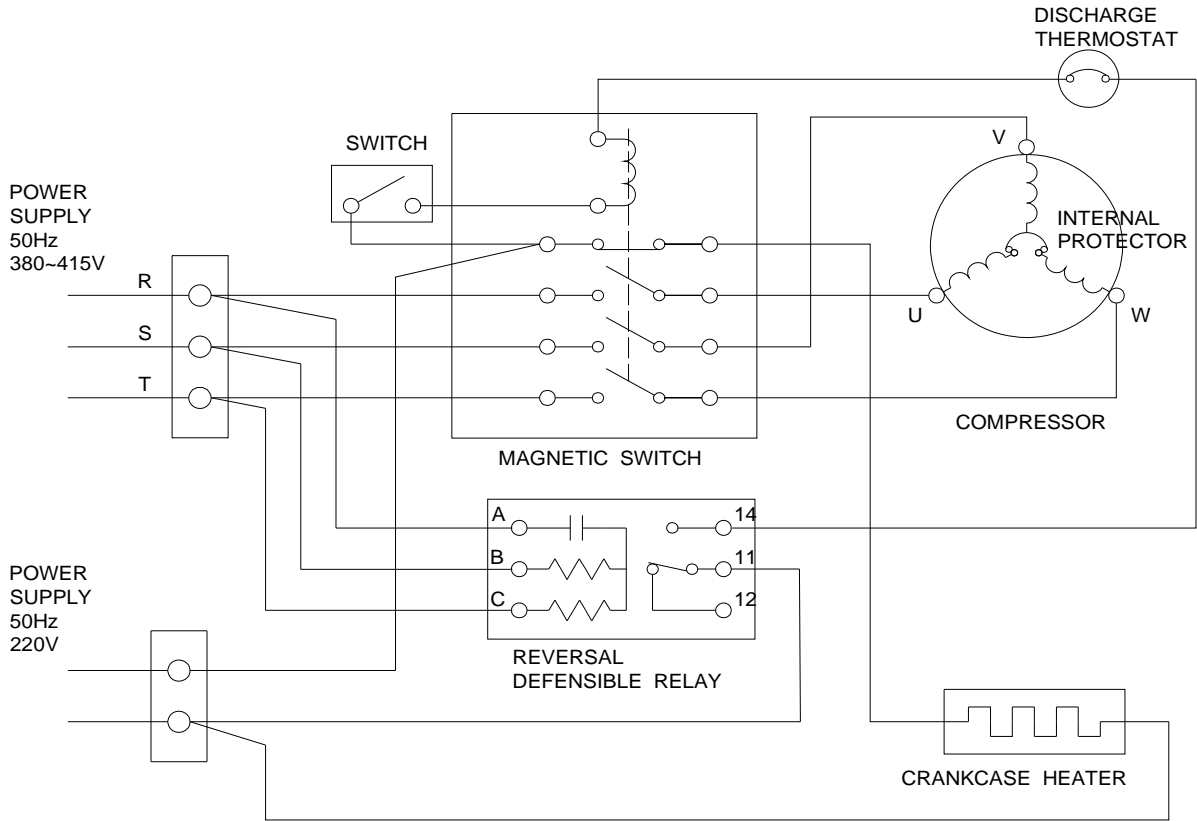
DIMENSIONAL SKETCH

C-SB Series
 2.6-4.5kW
 European & Chinese
 power supply
 specifications
 models



WIRING & MOUNTING SKETCH

WIRING DIAGRAM C-SB Series 3phase B8



MOUNTING SKETCH

