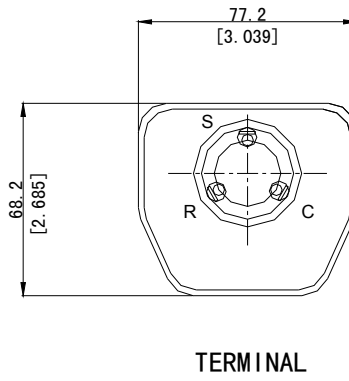
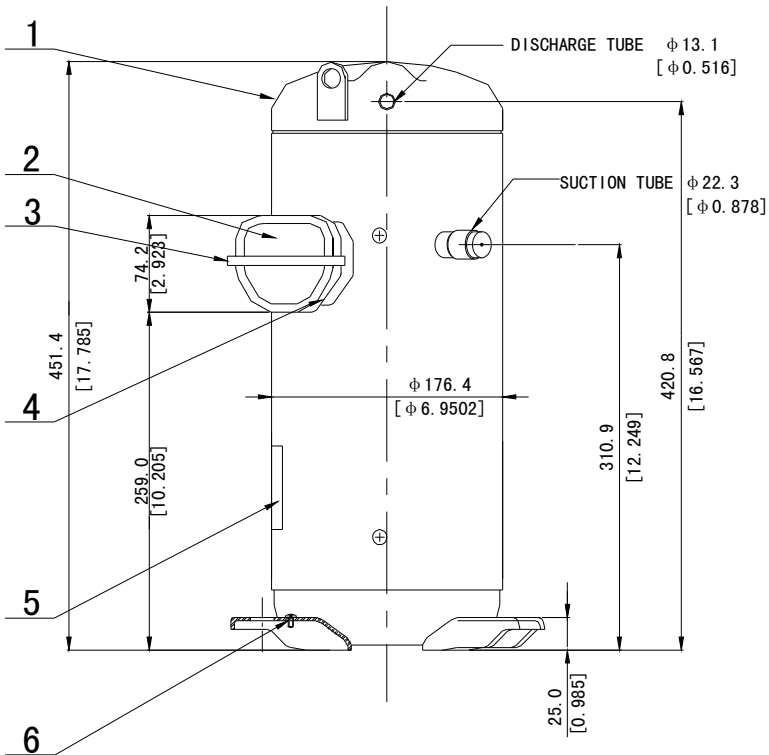


| No. | Part Code | Qty | Name |
|-----|--------------|-----|--------------------|
| 1 | C-SBP140H15A | 1 | Compressor |
| 2 | A-0101-DSB | 1 | Terminal Box Cover |
| 3 | A-0201-DSB | 1 | Terminal Box Clip |
| 4 | A-0301-DSB | 1 | Insulating Grommet |
| 5 | | 1 | Nameplate |
| 6 | B-0101-DSB | 1 | Screw Special |



Part Code
D-0101-DSB
 Name
Compressor Outline Drawing