



# Tecumseh

Kompressor  
Spannungscode : TZ

# TAG4553Z

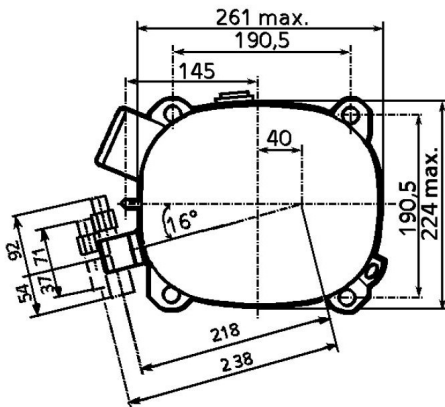
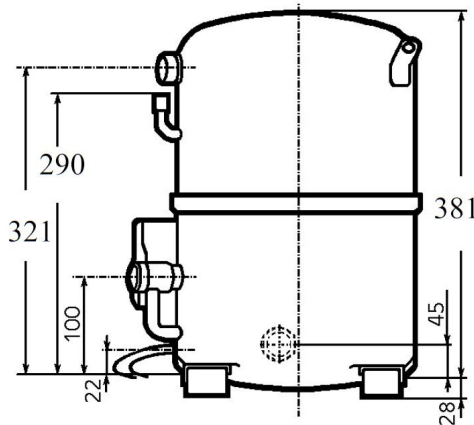
Gewerbliche Kühlung (Normalk.) (HP)

400V 3~ 50Hz / 440V 3~ 60 Hz

R452A / R404A / R448A / R449A

AGB4553ZTZ

| Bedingungen         | Frequenz      | Nennkälteleistung |               | Schalleistung<br>ISO3745 / ISO 3743-1 |
|---------------------|---------------|-------------------|---------------|---------------------------------------|
|                     |               | Watts             | BTU/h         |                                       |
| EN12900_MHP / R452A | 50 Hz / 60 Hz | 6048 / 7586       | 20623 / 25869 | 82 dBA                                |
| EN12900_MHP / R404A | 50 Hz / 60 Hz | 6220 / 7802       | 21211 / 26604 | 82 dBA                                |
| EN12900_MHP / R448A | 50 Hz / 60 Hz | 5741 / 7202       | 19577 / 24560 | 82 dBA                                |
| EN12900_MHP / R449A | 50 Hz / 60 Hz | 5741 / 7202       | 19577 / 24560 | 82 dBA                                |



|                               |                            |
|-------------------------------|----------------------------|
| Hubvolumen (cm <sup>3</sup> ) | 100,7                      |
| Nettogewicht (kg)             | 45.6                       |
| Ölmenge (cm <sup>3</sup> )    | 1760.0                     |
| Ölsorte                       | P.O.E                      |
| Expansion                     | Kapillare/Expansionsventil |
| Kühlung                       | Belüftet                   |
| Hilfsphase (Ohm)              | 4.0                        |
| <b>Strom</b>                  |                            |
| Nennstrom (A)                 | 7.9   8.4                  |
| Maximalstrom (A)              | 14   14                    |
| Anlaufstrom (A)               | 46   45                    |
| <b>Typ Schaltanlage</b>       | TRI                        |
| <b>Schutz</b>                 | Interne                    |
| <b>Außendurchmesser</b>       |                            |
| Ø Saugleitung                 | 22.2 (7/8")                |
| Ø Druckleitung                | 15.9 (5/8")                |
| Ø Prozessleitung              | 6.35 (1/4")                |

\* EN12900\_MHP : T°Verf. 45.0°C / T°Verdampf.. -10.0°C / T°Sauggastemp.. 20.0°C  
T°Unter kühlung. 0.0K

Zulassungen :



NB: Tecumseh behält sich das Recht vor, die in diesem Dokument enthaltenen Informationen ohne vorherige Ankündigung zu verändern



**Tecumseh**

|                 |  |
|-----------------|--|
| <b>TAG4553Z</b> | <b>Tension TZ : 400V 3~ 50Hz / 440V 3~ 60 Hz</b> |
|-----------------|--|

Les performances sont données dans les **conditions EN12900\_MHP** :  
 Condition Dew  
 The performance data are in **EN12900\_MHP conditions** :  
 Dew Condition

Gaz aspirés : 20.0 °C  
 Sous refroidissement : 0.0 K  
 Return gas : 20.0 °C  
 Subcooling : 0.0 K

© 2023 Tecumseh Products Company  
All rights reserved

**50 Hz R452A**

**N°2142**

| 4   T condensation | 5   T évaporation  | (°C)   | -25  | -20  | -15  | -10  | -5    | 0     | 5     | 10    | 15    |
|--------------------|--------------------|--------|------|------|------|------|-------|-------|-------|-------|-------|
| <b>30</b>          | 1   P frigorifique | (Watt) | 3557 | 4955 | 6650 | 8690 | 11119 | 13985 | 17334 | 21212 | 25665 |
|                    | 2   P absorbée     | (W)    | 1993 | 2360 | 2698 | 3011 | 3304  | 3580  | 3846  | 4105  | 4363  |
|                    | 3   I absorbée     | (A)    | 4.05 | 4.51 | 4.96 | 5.39 | 5.80  | 6.20  | 6.58  | 6.95  | 7.31  |
| <b>40</b>          | 1   P frigorifique | (Watt) |      | 3717 | 5189 | 6926 | 8975  | 11382 | 14193 | 17455 | 21213 |
|                    | 2   P absorbée     | (W)    |      | 2316 | 2754 | 3161 | 3541  | 3900  | 4241  | 4569  | 4890  |
|                    | 3   I absorbée     | (A)    |      | 4.43 | 5.01 | 5.57 | 6.11  | 6.65  | 7.16  | 7.67  | 8.16  |
| <b>50</b>          | 1   P frigorifique | (Watt) |      |      | 3726 | 5174 | 6855  | 8815  | 11101 | 13758 | 16835 |
|                    | 2   P absorbée     | (W)    |      |      | 2666 | 3187 | 3676  | 4136  | 4573  | 4992  | 5396  |
|                    | 3   I absorbée     | (A)    |      |      | 4.92 | 5.61 | 6.29  | 6.96  | 7.61  | 8.25  | 8.88  |
| <b>60</b>          | 1   P frigorifique | (Watt) |      |      |      | 3450 | 4775  | 6301  | 8073  | 10140 | 12546 |
|                    | 2   P absorbée     | (W)    |      |      |      | 3051 | 3668  | 4252  | 4805  | 5334  | 5842  |
|                    | 3   I absorbée     | (A)    |      |      |      | 5.50 | 6.32  | 7.12  | 7.91  | 8.69  | 9.46  |

**60 Hz R452A**

**N°2142**

| 4   T condensation | 5   T évaporation  | (°C)   | -25  | -20  | -15  | -10   | -5    | 0     | 5     | 10    | 15    |
|--------------------|--------------------|--------|------|------|------|-------|-------|-------|-------|-------|-------|
| <b>30</b>          | 1   P frigorifique | (Watt) | 4537 | 6284 | 8322 | 10693 | 13439 | 16602 | 20224 | 24347 | 29013 |
|                    | 2   P absorbée     | (W)    | 2538 | 3029 | 3479 | 3900  | 4307  | 4712  | 5128  | 5570  | 6049  |
|                    | 3   I absorbée     | (A)    | 4.46 | 4.96 | 5.45 | 5.92  | 6.38  | 6.82  | 7.24  | 7.65  | 8.04  |
| <b>40</b>          | 1   P frigorifique | (Watt) |      | 4711 | 6554 | 8653  | 11051 | 13789 | 16910 | 20455 | 24466 |
|                    | 2   P absorbée     | (W)    |      | 2930 | 3512 | 4046  | 4543  | 5018  | 5483  | 5952  | 6438  |
|                    | 3   I absorbée     | (A)    |      | 4.88 | 5.51 | 6.12  | 6.73  | 7.31  | 7.88  | 8.43  | 8.98  |
| <b>50</b>          | 1   P frigorifique | (Watt) |      |      | 4682 | 6498  | 8536  | 10837 | 13445 | 16400 | 19746 |
|                    | 2   P absorbée     | (W)    |      |      | 3336 | 4029  | 4665  | 5258  | 5820  | 6365  | 6906  |
|                    | 3   I absorbée     | (A)    |      |      | 5.41 | 6.17  | 6.92  | 7.65  | 8.37  | 9.08  | 9.77  |
| <b>60</b>          | 1   P frigorifique | (Watt) |      |      |      | 4286  | 5952  | 7805  | 9887  | 12241 | 14908 |
|                    | 2   P absorbée     | (W)    |      |      |      | 3722  | 4545  | 5304  | 6012  | 6681  | 7325  |
|                    | 3   I absorbée     | (A)    |      |      |      | 6.05  | 6.95  | 7.84  | 8.71  | 9.56  | 10.4  |

1 = cooling capacity 2 = power input 3 = current 4 = condensing temperature 5 = evaporating temperature

**Nota : Tecumseh se réserve le droit de modifier les informations contenues dans ce document sans préavis.**

**Note : Tecumseh reserves the right to change information contained in this document without notification.**



**Tecumseh**

|                 |  |
|-----------------|--|
| <b>TAG4553Z</b> | <b>Tension TZ : 400V 3~ 50Hz / 440V 3~ 60 Hz</b> |
|-----------------|--|

Les performances sont données dans les **conditions EN12900\_MHP** :  
 Condition Dew  
 The performance data are in **EN12900\_MHP conditions** :  
 Dew Condition

Gaz aspirés : 20.0 °C  
 Sous refroidissement : 0.0 K  
 Return gas : 20.0 °C  
 Subcooling : 0.0 K

| <b>50 Hz R404A</b> |                    |        |      |      |      |      |       |       |       |       |       |
|--------------------|--------------------|--------|------|------|------|------|-------|-------|-------|-------|-------|
| <b>N°227EU-T</b>   |                    |        |      |      |      |      |       |       |       |       |       |
| 4   T condensation | 5   T évaporation  | (°C)   | -25  | -20  | -15  | -10  | -5    | 0     | 5     | 10    | 15    |
| <b>30</b>          | 1   P frigorifique | (Watt) | 3793 | 5224 | 6947 | 9005 | 11443 | 14304 | 17630 | 21467 | 25856 |
|                    | 2   P absorbée     | (W)    | 2111 | 2490 | 2837 | 3155 | 3450  | 3726  | 3988  | 4240  | 4486  |
|                    | 3   I absorbée     | (A)    | 4.29 | 4.76 | 5.21 | 5.64 | 6.06  | 6.45  | 6.82  | 7.18  | 7.51  |
| <b>40</b>          | 1   P frigorifique | (Watt) | 2636 | 3915 | 5403 | 7143 | 9180  | 11556 | 14315 | 17501 | 21157 |
|                    | 2   P absorbée     | (W)    | 1967 | 2455 | 2904 | 3317 | 3701  | 4058  | 4394  | 4714  | 5021  |
|                    | 3   I absorbée     | (A)    | 4.10 | 4.70 | 5.28 | 5.84 | 6.39  | 6.92  | 7.42  | 7.91  | 8.38  |
| <b>50</b>          | 1   P frigorifique | (Watt) |      | 2598 | 3868 | 5306 | 6957  | 8865  | 11073 | 13625 | 16563 |
|                    | 2   P absorbée     | (W)    |      | 2254 | 2825 | 3355 | 3847  | 4306  | 4737  | 5144  | 5532  |
|                    | 3   I absorbée     | (A)    |      | 4.49 | 5.21 | 5.90 | 6.58  | 7.24  | 7.88  | 8.50  | 9.10  |
| <b>60</b>          | 1   P frigorifique | (Watt) |      |      | 2364 | 3517 | 4799  | 6255  | 7928  | 9861  | 12098 |
|                    | 2   P absorbée     | (W)    |      |      | 2565 | 3230 | 3851  | 4432  | 4978  | 5494  | 5983  |
|                    | 3   I absorbée     | (A)    |      |      | 5.00 | 5.83 | 6.64  | 7.43  | 8.20  | 8.95  | 9.69  |

| <b>60 Hz R404A</b> |                    |        |      |      |      |       |       |       |       |       |       |
|--------------------|--------------------|--------|------|------|------|-------|-------|-------|-------|-------|-------|
| <b>N°227EU-T</b>   |                    |        |      |      |      |       |       |       |       |       |       |
| 4   T condensation | 5   T évaporation  | (°C)   | -25  | -20  | -15  | -10   | -5    | 0     | 5     | 10    | 15    |
| <b>30</b>          | 1   P frigorifique | (Watt) | 4838 | 6625 | 8693 | 11082 | 13831 | 16980 | 20570 | 24639 | 29229 |
|                    | 2   P absorbée     | (W)    | 2688 | 3196 | 3658 | 4087  | 4498  | 4903  | 5317  | 5751  | 6220  |
|                    | 3   I absorbée     | (A)    | 4.72 | 5.24 | 5.73 | 6.21  | 6.66  | 7.09  | 7.51  | 7.90  | 8.27  |
| <b>40</b>          | 1   P frigorifique | (Watt) | 3301 | 4963 | 6824 | 8924  | 11302 | 14000 | 17055 | 20509 | 24401 |
|                    | 2   P absorbée     | (W)    | 2440 | 3105 | 3703 | 4246  | 4748  | 5222  | 5682  | 6140  | 6611  |
|                    | 3   I absorbée     | (A)    | 4.50 | 5.17 | 5.81 | 6.43  | 7.03  | 7.61  | 8.16  | 8.70  | 9.22  |
| <b>50</b>          | 1   P frigorifique | (Watt) |      | 3215 | 4861 | 6663  | 8663  | 10899 | 13412 | 16241 | 19427 |
|                    | 2   P absorbée     | (W)    |      | 2753 | 3535 | 4240  | 4882  | 5473  | 6028  | 6560  | 7081  |
|                    | 3   I absorbée     | (A)    |      | 4.94 | 5.73 | 6.49  | 7.24  | 7.97  | 8.67  | 9.35  | 10.0  |
| <b>60</b>          | 1   P frigorifique | (Watt) |      |      | 2873 | 4370  | 5981  | 7748  | 9709  | 11905 | 14375 |
|                    | 2   P absorbée     | (W)    |      |      | 3026 | 3942  | 4772  | 5530  | 6228  | 6881  | 7502  |
|                    | 3   I absorbée     | (A)    |      |      | 5.50 | 6.41  | 7.30  | 8.17  | 9.02  | 9.85  | 10.7  |

1 = cooling capacity 2 = power input 3 = current 4 = condensing temperature 5 = evaporating temperature

**Nota : Tecumseh se réserve le droit de modifier les informations contenues dans ce document sans préavis.**

**Note : Tecumseh reserves the right to change information contained in this document without notification.**

© 2023 Tecumseh Products Company  
All rights reserved



**Tecumseh**

|                 |  |
|-----------------|--|
| <b>TAG4553Z</b> | <b>Tension TZ : 400V 3~ 50Hz / 440V 3~ 60 Hz</b> |
|-----------------|--|

|  |                        |         |
|--|------------------------|---------|
| Les performances sont données dans les <b>conditions EN12900_MHP</b> : | Gaz aspirés :          | 20.0 °C |
| Condition Dew  | Sous refroidissement : | 0.0 K   |
| The performance data are in <b>EN12900_MHP conditions</b> :            | Return gas :           | 20.0 °C |
| Dew Condition  | Subcooling :           | 0.0 K   |

© 2023 Tecumseh Products Company  
All rights reserved

### 50 Hz R448A (\*)

**N°2865**

| 4   T condensation | 5   T évaporation  | (°C)   | -25  | -20  | -15  | -10  | -5    | 0     | 5     | 10    | 15    |
|--------------------|--------------------|--------|------|------|------|------|-------|-------|-------|-------|-------|
| <b>30</b>          | 1   P frigorifique | (Watt) | 3133 | 4476 | 6117 | 8108 | 10500 | 13345 | 16693 | 20596 | 25104 |
|                    | 2   P absorbée     | (W)    | 1858 | 2196 | 2514 | 2812 | 3095  | 3363  | 3619  | 3865  | 4105  |
|                    | 3   I absorbée     | (A)    | 3.78 | 4.20 | 4.62 | 5.03 | 5.43  | 5.82  | 6.19  | 6.55  | 6.87  |
| <b>40</b>          | 1   P frigorifique | (Watt) |      | 3375 | 4810 | 6526 | 8572  | 11001 | 13862 | 17209 | 21091 |
|                    | 2   P absorbée     | (W)    |      | 2175 | 2584 | 2968 | 3331  | 3674  | 4000  | 4311  | 4608  |
|                    | 3   I absorbée     | (A)    |      | 4.16 | 4.70 | 5.23 | 5.75  | 6.26  | 6.76  | 7.23  | 7.69  |
| <b>50</b>          | 1   P frigorifique | (Watt) |      |      | 3507 | 4966 | 6685  | 8717  | 11112 | 13921 | 17195 |
|                    | 2   P absorbée     | (W)    |      |      | 2518 | 3016 | 3487  | 3932  | 4355  | 4757  | 5141  |
|                    | 3   I absorbée     | (A)    |      |      | 4.64 | 5.31 | 5.97  | 6.61  | 7.25  | 7.86  | 8.46  |
| <b>60</b>          | 1   P frigorifique | (Watt) |      |      |      | 3457 | 4869  | 6523  | 8470  | 10761 | 13448 |
|                    | 2   P absorbée     | (W)    |      |      |      | 2900 | 3505  | 4081  | 4628  | 5148  | 5645  |
|                    | 3   I absorbée     | (A)    |      |      |      | 5.23 | 6.04  | 6.84  | 7.62  | 8.39  | 9.14  |

### 60 Hz R448A (\*)

**N°2865**

| 4   T condensation | 5   T évaporation  | (°C)   | -25  | -20  | -15  | -10  | -5    | 0     | 5     | 10    | 15    |
|--------------------|--------------------|--------|------|------|------|------|-------|-------|-------|-------|-------|
| <b>30</b>          | 1   P frigorifique | (Watt) | 3997 | 5676 | 7654 | 9977 | 12691 | 15842 | 19476 | 23639 | 28377 |
|                    | 2   P absorbée     | (W)    | 2366 | 2818 | 3240 | 3642 | 4034  | 4425  | 4825  | 5245  | 5693  |
|                    | 3   I absorbée     | (A)    | 4.16 | 4.62 | 5.08 | 5.53 | 5.98  | 6.40  | 6.81  | 7.20  | 7.56  |
| <b>40</b>          | 1   P frigorifique | (Watt) |      | 4276 | 6075 | 8153 | 10556 | 13328 | 16516 | 20166 | 24324 |
|                    | 2   P absorbée     | (W)    |      | 2752 | 3295 | 3799 | 4273  | 4727  | 5171  | 5614  | 6067  |
|                    | 3   I absorbée     | (A)    |      | 4.58 | 5.17 | 5.75 | 6.33  | 6.89  | 7.43  | 7.96  | 8.46  |
| <b>50</b>          | 1   P frigorifique | (Watt) |      |      | 4406 | 6237 | 8325  | 10717 | 13457 | 16593 | 20170 |
|                    | 2   P absorbée     | (W)    |      |      | 3151 | 3813 | 4426  | 4999  | 5542  | 6065  | 6579  |
|                    | 3   I absorbée     | (A)    |      |      | 5.11 | 5.84 | 6.56  | 7.27  | 7.97  | 8.65  | 9.31  |
| <b>60</b>          | 1   P frigorifique | (Watt) |      |      |      | 4297 | 6070  | 8079  | 10370 | 12990 | 15983 |
|                    | 2   P absorbée     | (W)    |      |      |      | 3535 | 4343  | 5091  | 5790  | 6450  | 7079  |
|                    | 3   I absorbée     | (A)    |      |      |      | 5.75 | 6.64  | 7.52  | 8.38  | 9.23  | 10.1  |

1 = cooling capacity 2 = power input 3 = current 4 = condensing temperature 5 = evaporating temperature

(\*) Veuillez vous référer strictement aux Recommandations d'Utilisation et Bulletins Marketing Tecumseh du fait de la température de reflux élevée pour les applications LBP.

(\*) Due to very high discharge temperature especially on LBP conditions, please strictly refer to Tecumseh Guidelines & Marketing Bulletin when using this refrigerant.

**Nota : Tecumseh se réserve le droit de modifier les informations contenues dans ce document sans préavis.**

**Note : Tecumseh reserves the right to change information contained in this document without notification.**



**Tecumseh**

|                 |  |
|-----------------|--|
| <b>TAG4553Z</b> | <b>Tension TZ : 400V 3~ 50Hz / 440V 3~ 60 Hz</b> |
|-----------------|--|

|  |                        |         |
|--|------------------------|---------|
| Les performances sont données dans les <b>conditions EN12900_MHP</b> : | Gaz aspirés :          | 20.0 °C |
| Condition Dew  | Sous refroidissement : | 0.0 K   |
| The performance data are in <b>EN12900_MHP conditions</b> :            | Return gas :           | 20.0 °C |
| Dew Condition  | Subcooling :           | 0.0 K   |

© 2023 Tecumseh Products Company  
All rights reserved

### 50 Hz R449A (\*)

**N°2258**

| 4   T condensation | 5   T évaporation  | (°C)   | -25  | -20  | -15  | -10  | -5    | 0     | 5     | 10    | 15    |
|--------------------|--------------------|--------|------|------|------|------|-------|-------|-------|-------|-------|
| <b>30</b>          | 1   P frigorifique | (Watt) | 3133 | 4476 | 6117 | 8108 | 10500 | 13345 | 16693 | 20596 | 25104 |
|                    | 2   P absorbée     | (W)    | 1858 | 2196 | 2514 | 2812 | 3095  | 3363  | 3619  | 3865  | 4105  |
|                    | 3   I absorbée     | (A)    | 3.78 | 4.20 | 4.62 | 5.03 | 5.43  | 5.82  | 6.19  | 6.55  | 6.87  |
| <b>40</b>          | 1   P frigorifique | (Watt) |      | 3375 | 4810 | 6526 | 8572  | 11001 | 13862 | 17209 | 21091 |
|                    | 2   P absorbée     | (W)    |      | 2175 | 2584 | 2968 | 3331  | 3674  | 4000  | 4311  | 4608  |
|                    | 3   I absorbée     | (A)    |      | 4.16 | 4.70 | 5.23 | 5.75  | 6.26  | 6.76  | 7.23  | 7.69  |
| <b>50</b>          | 1   P frigorifique | (Watt) |      |      | 3507 | 4966 | 6685  | 8717  | 11112 | 13921 | 17195 |
|                    | 2   P absorbée     | (W)    |      |      | 2518 | 3016 | 3487  | 3932  | 4355  | 4757  | 5141  |
|                    | 3   I absorbée     | (A)    |      |      | 4.64 | 5.31 | 5.97  | 6.61  | 7.25  | 7.86  | 8.46  |
| <b>60</b>          | 1   P frigorifique | (Watt) |      |      |      | 3457 | 4869  | 6523  | 8470  | 10761 | 13448 |
|                    | 2   P absorbée     | (W)    |      |      |      | 2900 | 3505  | 4081  | 4628  | 5148  | 5645  |
|                    | 3   I absorbée     | (A)    |      |      |      | 5.23 | 6.04  | 6.84  | 7.62  | 8.39  | 9.14  |

### 60 Hz R449A (\*)

**N°2258**

| 4   T condensation | 5   T évaporation  | (°C)   | -25  | -20  | -15  | -10  | -5    | 0     | 5     | 10    | 15    |
|--------------------|--------------------|--------|------|------|------|------|-------|-------|-------|-------|-------|
| <b>30</b>          | 1   P frigorifique | (Watt) | 3997 | 5676 | 7654 | 9977 | 12691 | 15842 | 19476 | 23639 | 28377 |
|                    | 2   P absorbée     | (W)    | 2366 | 2818 | 3240 | 3642 | 4034  | 4425  | 4825  | 5245  | 5693  |
|                    | 3   I absorbée     | (A)    | 4.16 | 4.62 | 5.08 | 5.53 | 5.98  | 6.40  | 6.81  | 7.20  | 7.56  |
| <b>40</b>          | 1   P frigorifique | (Watt) |      | 4276 | 6075 | 8153 | 10556 | 13328 | 16516 | 20166 | 24324 |
|                    | 2   P absorbée     | (W)    |      | 2752 | 3295 | 3799 | 4273  | 4727  | 5171  | 5614  | 6067  |
|                    | 3   I absorbée     | (A)    |      | 4.58 | 5.17 | 5.75 | 6.33  | 6.89  | 7.43  | 7.96  | 8.46  |
| <b>50</b>          | 1   P frigorifique | (Watt) |      |      | 4406 | 6237 | 8325  | 10717 | 13457 | 16593 | 20170 |
|                    | 2   P absorbée     | (W)    |      |      | 3151 | 3813 | 4426  | 4999  | 5542  | 6065  | 6579  |
|                    | 3   I absorbée     | (A)    |      |      | 5.11 | 5.84 | 6.56  | 7.27  | 7.97  | 8.65  | 9.31  |
| <b>60</b>          | 1   P frigorifique | (Watt) |      |      |      | 4297 | 6070  | 8079  | 10370 | 12990 | 15983 |
|                    | 2   P absorbée     | (W)    |      |      |      | 3535 | 4343  | 5091  | 5790  | 6450  | 7079  |
|                    | 3   I absorbée     | (A)    |      |      |      | 5.75 | 6.64  | 7.52  | 8.38  | 9.23  | 10.1  |

1 = cooling capacity 2 = power input 3 = current 4 = condensing temperature 5 = evaporating temperature

(\*) Veuillez vous référer strictement aux Recommandations d'Utilisation et Bulletins Marketing Tecumseh du fait de la température de reflux élevée pour les applications LBP.

(\*) Due to very high discharge temperature especially on LBP conditions, please strictly refer to Tecumseh Guidelines & Marketing Bulletin when using this refrigerant.

**Nota : Tecumseh se réserve le droit de modifier les informations contenues dans ce document sans préavis.**

**Note : Tecumseh reserves the right to change information contained in this document without notification.**